

PROSTAR® ELECTRIC CHAIN MOTOR

CAPACITIES

136 to 453 kg

LIFT

18 metre standard***

SPEEDS

2.4 to 12 metre/minute

VOLTAGES

3-phase available

Lightweight, quiet and portable, the CM Prostar is designed and built for the unique rigging needs encountered at small venues. Featuring an overload device that protects the hoist, operator and structure from damaging overloads.

BENEFITS & FEATURES

DC ELECTRO-MECHANICAL BRAKES

Non-adjusting for low maintenance and quiet operation.

GEARING

Precision machined gears heat treated for strength and durability.

CHAIN GUIDE

One piece jam free for smooth operation.

HOUSING

Lightweight, cast aluminum, durable and strong black powder coated finish for low visibility.

LIFT WHEEL

CM patented 10 pocket oblique lift wheel for quiet and smooth operation.

LOW VOLTAGE CONTROL

110 Volt for long cable runs without voltage drop. 24 and 48 Volt optional.

DUTY CYCLE

H-4 duty rated, designed for heavy duty application. FEM 2m.

OVERLOAD PROTECTION

Helps prevent lifting of dangerous overloads.

CHAIN STOP

Mounted on Load Chain prevents over-travel.

METRIC RATED

LOAD CHAIN
Designed and manufactured by Columbus McKinnon. Zinc plated to protect against corrosion. Black phosphate finish optional.

THE INDUSTRY'S BEST LIFETIME WARRANTY

MEETS OR EXCEEDS WORLD STANDARDS

OPTIONAL FEATURES

CHAIN BAG

Easy-to-Mount Cloth Type Bags.

DOUBLE BRAKE

ENCODER

UPPER SWIVEL HOOK SUSPENSION



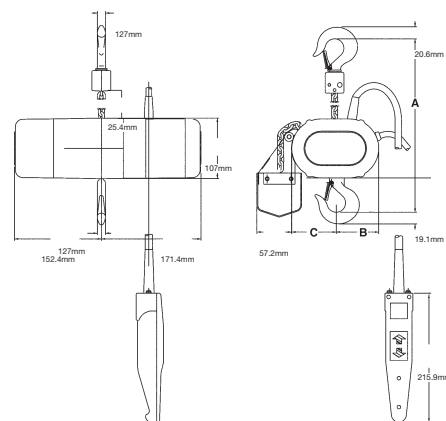
SPECIFICATIONS

Rate Capacity	Reeves of Full Chain	Motor HP	Lifting Speed	Hoist Weight (Un-chained)	Chain Weight Per Metre	Full Load Amps	
						1-Phase	3-Phase
136kg	1	1/6	4.8m/min	12.7	0.35kg	3.6	.6" / 1.2"
136kg	1	1/6	4.8m/min	12.7	0.35kg	-	.6" / 1.1"
226kg	1	1/6	4.8m/min	12.7	0.35kg	-	.7" / 1.2"
226kg	1	1/6	3.7m/min	12.7	0.35kg	4	-
272kg	2	1/6	2.4m/min	16.3	0.7kg	3.6	.6" / 1.1"
272kg	2	1/6	2.4m/min	16.3	0.7kg	3.6	.6" / 1.1"
500kg	2	1/6	2.4m/min	16.3	0.7kg	-	.7" / 1.2"

*415 volt operation. *220 volt operation.

Rate Capacity	Lift Speed	Operating Voltage			
		Single Phase		Three Phase	
136kg	4.8m/min	115-1-50/60	220-1-50/60	220-3-50/60	415-3-50/60
136kg	7.3m/min	-	-	220-3-50/60	415-3-50/60
136kg	12m/min	-	-	220-3-50/60	415-3-50/60
226kg	3.7m/min	115-1-50/60	220-1-50/60	-	-
226kg	4.8m/min	-	-	220-3-50/60	415-3-50/60
226kg	6m/min	-	-	220-3-50/60	415-3-50/60
272kg	2.4m/min	115-1-50/60	220-1-50/60	-	-
272kg	3.7m/min	-	-	220-3-50/60	415-3-50/60
500kg	1.8m/min	115-1-50/60	220-1-50/60	-	-
500kg	2.4m/min	-	-	220-3-50/60	415-3-50/60
500kg	3.7m/min	-	-	220-3-50/60	415-3-50/60

*** Lifts other than 18 metres available (Standard Units shipped less chain unless specified).



DIMENSIONS

Drawing Legend	Reeving	
	Single	Double
A	279mm	308mm
B	75mm	89mm
C	73mm	60mm